



DE LOREAN MOTOR COMPANY

SERVICE BULLETIN

NUMBER ST-10-8/81

CATEGORY: TECHNICAL

ATTENTION: ALL DMC DEALERS/SERVICE MANAGERS

SUBJECT: DOOR LATCH AND LOCK SETTING PROCEDURES.

Attached to this bulletin, are the door latch-lock setting procedures.

Please inform all personnel concerned.

Sincerely,

Lutz Feuerabendt
Technical Service Manager

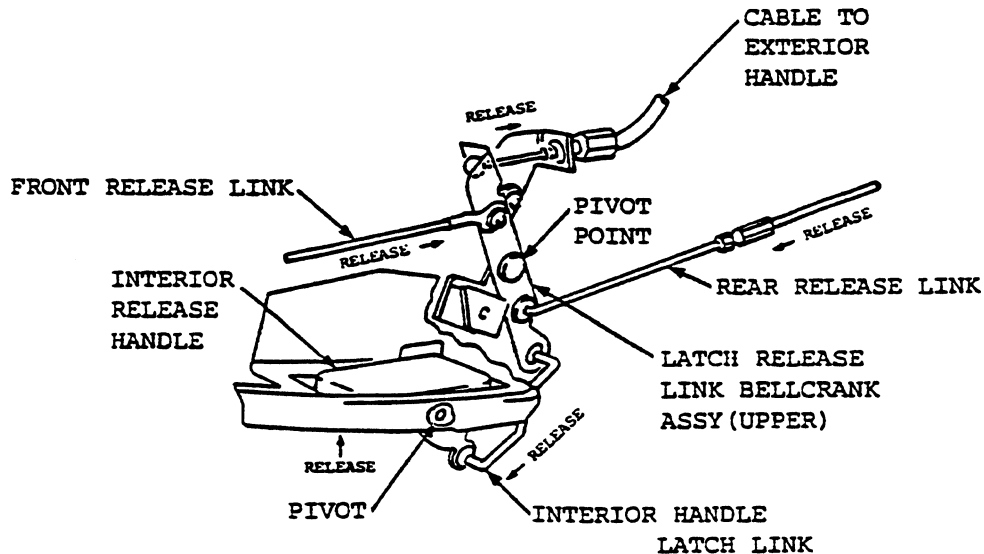
LF:dg

attachment (s)

DOOR LATCH CONTROLS SETTING PROCEDURE

1. Lower the power window.
2. Working through the window opening, pry loose the upper trim panel retaining clips.
3. Open door and remove upper trim panel.
4. Remove screws securing the lower trim panel mounting bracket (upper edge) to the door assembly.
5. Pry loose the retaining clips securing the lower edge of the trim panel.
6. Pull trim panel away from the door to gain access to the door pull handle mounting bracket. Using a long Phillips screwdriver, remove two (2) screws securing the door pull handle to its mounting bracket. Remove the lower trim panel.
7. When working on the left door, remove the power mirror switch. When working on the right door, remove the close-out plate.
8. Remove two screws securing the pull handle mounting bracket.
9. Loosen the lock nut on the exterior handle's latch control cable. Turn the cable adjuster to gain enough slack to remove the cable ball from the bellcrank assembly. Disconnect cable from bellcrank assembly.
10. Working in the lower door area (below armrest support), disconnect the interior handle latch control link from the interior handle connection.
11. Disconnect the rear latch release link from the latch release bellcrank assembly.
12. With the front release link connected, there should now be free play in the latch release bellcrank assembly.
13. Rotate the latch release bellcrank assembly (pulling the front latch release link rearward) to remove the free play in the front latch release link.
Note: Rotate the bellcrank only enough to remove the free play. DO NOT place any pre-load on the front latch assembly.
14. While holding the latch release bellcrank assembly in this position (Step 13), pull the rear latch release link forward to remove the free play and connect the link to the latch release bellcrank assembly. If the free play cannot be removed or a pre-load condition exists, adjust the rear latch release link only enough to remove the free play. DO NOT place any pre-load on the link connections.
15. Reconnect the interior handle's latch control link. This link is not adjustable; therefore, a slight degree of free play or pre-load is acceptable.

16. Reconnect the exterior handle's latch control cable to the bellcrank assembly. Turn the cable adjuster only enough to remove the slack in the cable. Note: Adjust this cable only enough to remove the slack in the cable. DO NOT place any pre-load on the cable bellcrank connection.
17. Check both the interior and exterior handles for proper latch release operation. This can be with the door open by:
 - a. Manually close both door latches.
 - b. With pressure applied to one latch (with screwdriver or similar tool) slowly open the exterior release handle until the latch is released and while holding the exterior release handle in the exact position where latch was released, the other latch should release.
 - c. Repeat the above check starting with the opposite latch.
 - d. Repeat the above check, using the interior release handle.
 - e. Open both latches before closing door.
18. Position and secure pull handle mounting bracket to the pull handle assembly.
19. Position pull handle assembly into the lower trim panel.
20. Position lower trim panel on the door and secure with two (2) pull handle mounting screws.
21. Position and secure lower trim panel upper mounting bracket to door assembly.
22. Position and secure lower trim panel with retaining clips.
23. Position and secure upper trim panel.



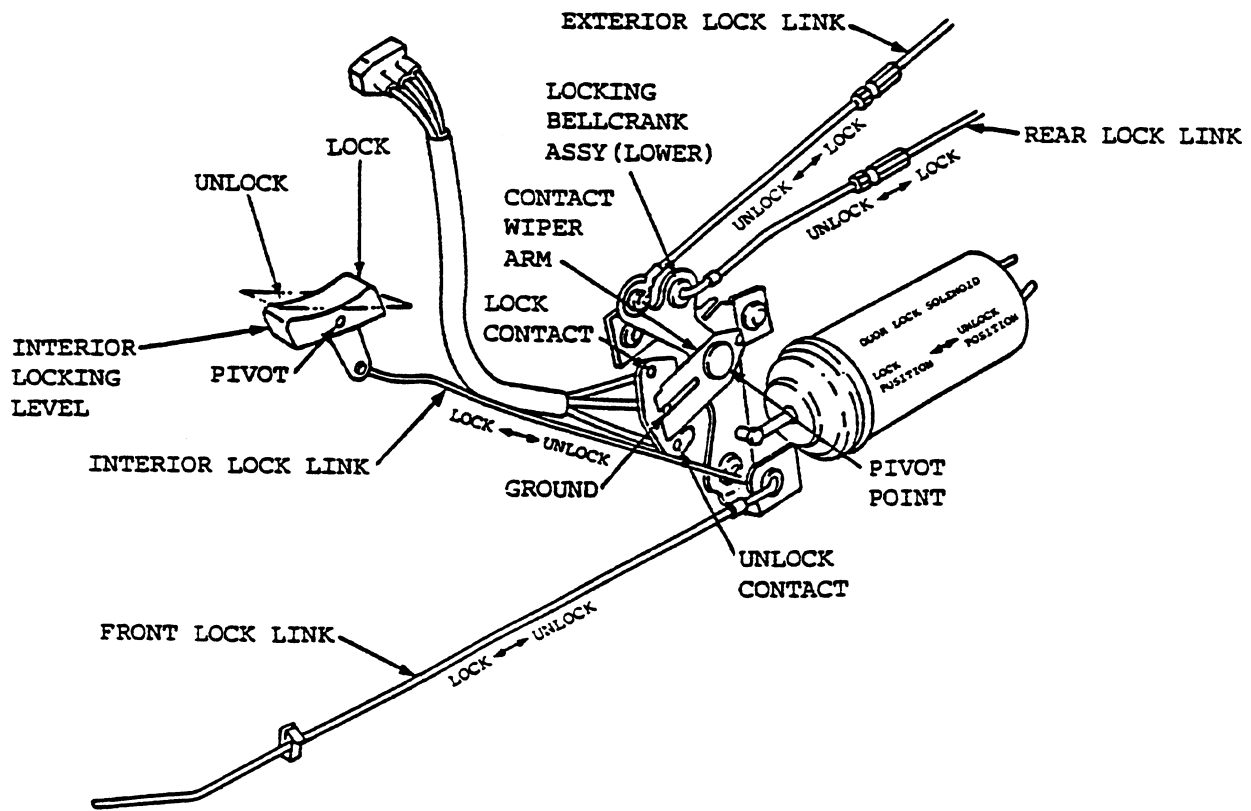
DOOR LATCHING MECHANISM

DOOR LOCK SETTING PROCEDURES

1. Lower the power window.
2. Working through the window opening, pry the upper trim panel retaining clips loose.
3. Open door and remove upper trim panel.
4. Remove screws securing the lower trim panel mounting bracket (upper edge) to the door assembly.
5. Pry loose the retaining clips securing the lower edge of the trim panel.
6. Pull trim panel away from the door to gain access to the door pull handle mounting bracket. Using a long Phillips screwdriver, remove two (2) screws securing the door pull handle to its mounting bracket. Remove the lower trim panel.
7. When working on the left door, remove the power mirror switch. When working on the right door, remove the close-out plate.
8. Remove two (2) screws securing the pull handle mounting bracket.
9. Disconnect the exterior lock link, the rear lock link and the front lock link from the lock bellcrank assembly
10. Pivot the locking bellcrank assembly back and forth and check that the contact wiper arm on the bellcrank makes effective contact to the electrical contact points at each limit of travel. If not, adjust the position of the door lock solenoid by loosening the solenoid's attaching screws. Retighten solenoid attaching screws.
11. Rotate the lock bellcrank to the "unlock" position (solenoid plunger retracted).
12. Pull the front locking link rearward to remove the free play and connect to the bellcrank. Check that the switch's electrical contacts position has not changed (Step 11). If necessary, adjust the "bend" in the front locking link to obtain no free play, no pre-load, and good electrical contact condition. Note: During this lock setting procedure, the door is open and, therefore, the latches should be in the "unlock" position.
13. Pull the rear locking link forward to remove any free play and adjust the rear locking link (if necessary) until it matches the established bellcrank position. Connect the rear locking link to bellcrank.
14. With door lock key installed, pull the exterior lock link forward and connect the link to the bellcrank assembly. Adjust if necessary.

Door Lock Setting Procedures

15. With the door open, manually close both the front and rear door latch assemblies.
16. Move the interior locking control rocker to the lock position and then back to the unlock position. Check both the mechanical and electrical operation of the locking system. Repeat checking procedure for exterior door lock.
17. With the system in the unlock position and the door open, return the latches to the released position.
18. Position and secure pull handle mounting bracket to the pull handle assembly.
19. Position pull handle assembly into the lower trim panel.
20. Position lower trim panel on the door and secure with two (2) pull handle mounting screws.
21. Position and secure lower trim panel upper mounting bracket to door assembly.
22. Position and secure lower trim panel with retaining clips.
23. Position and secure upper trim panel.



DOOR LOCKING MECHANISM